

4

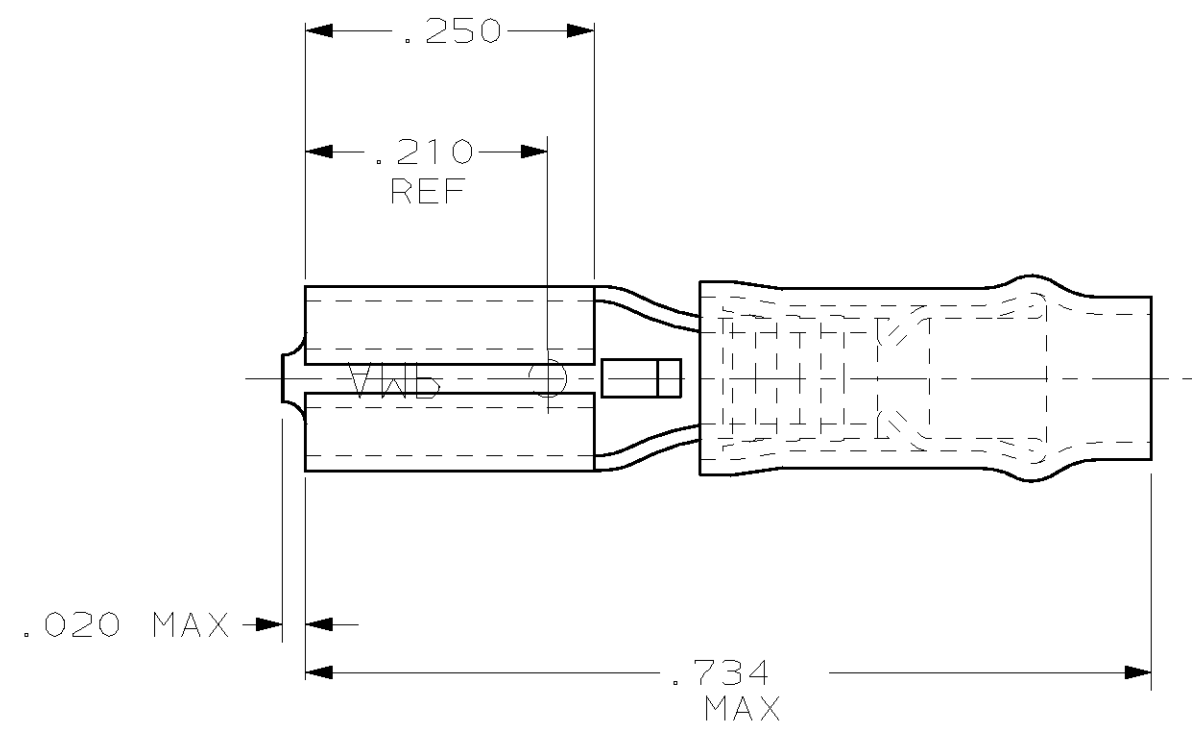
3

2

1

THIS DRAWING IS UNPUBLISHED. RELEASED FOR PUBLICATION ,19 .  
 © COPYRIGHT 19 BY AMP INCORPORATED. ALL RIGHTS RESERVED.

LOC	DIST	REVISIONS			
P	LTR	DESCRIPTION	DATE	DWN	APVD
G	14	F	REV PER 0G3A-0176-02	08APR02	JR TM



- 1. INSULATION DIA .100 MAX
- 2. TAB THK .033 MAX

QTY	PACKAGE TYPE	PART NO
5	LOOSE PC, BLS	8-60894-4
100	LOOSE PC, BOX	8-60894-1
-	TAPE MOUNTED	60894-2
-	LOOSE PIECE	60894-1

**AMP INCORPORATED**  
**CUSTOMER SERVICE SYSTEM**

FOR ADDITIONAL PRODUCT INFORMATION OR COPIES OF DRAWINGS AND TECHNICAL DOCUMENTS: PRODUCT INFORMATION CENTER 1-800-522-6752

FOR APPLICATION TOOLING INFORMATION: TOOLING ASSISTANCE CENTER 1-800-722-1111

FOR ORDER ENTRY: 1-800-526-5142

MAX RECOMMENDED OPERATING TEMPERATURE: -

VOLTAGE RATING: -

CIRCULAR MIL AREA: -

THIS DRAWING IS A CONTROLLED DOCUMENT FOR AMP INCORPORATED. IT IS SUBJECT TO CHANGE AND THE CONTROLLING ENGINEERING ORGANIZATION SHOULD BE CONTACTED FOR THE LATEST REVISION.

DIMENSIONS: INCHES

TOLERANCES UNLESS OTHERWISE SPECIFIED:

0 PLC	±-
1 PLC	±-
2 PLC	±.015
3 PLC	±-
4 PLC ANGLES	±-

MATERIAL: BODY, BRASS .012; SLV, NYLON, COLOR, CLEAR

FINISH: BODY, PRE-TIN

DWN: L OLMEDA 13NOV95  
 CHK: M ELLIS 13NOV95  
 APVD: B BARE 13NOV95

PRODUCT SPEC: -  
 APPLICATION SPEC: -  
 WEIGHT: -

CUSTOMER DRAWING

**AMP** AMP Incorporated Harrisburg, PA 17105-3608

NAME: RECEPTACLE, 110 SERIES, FASTON™, PIDG™, WIRE SIZE, 22-18 AWG

SIZE: A3 CAGE CODE: 00779 DRAWING NO: C-60894

SCALE: NT5 SHEET: 1 OF 1 REV: F